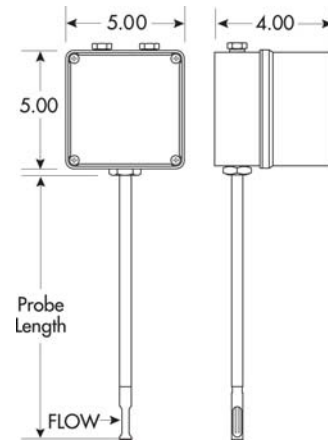


SAGE SIL SPECIFICATIONS

INTEGRAL STYLE "LITE" (No Display) INSERTION MASS FLOWMETER

Flow Meter is thermal dispersion type, utilizing constant temperature difference method of measuring Gas Mass Flow Rate. It contains two reference grade platinum RTD sensors clad in a protective 316 SS sheath. Features direct Mass Flow for gases, wide rangeability, low pressure drop, very low end sensitivity, and no moving parts.

Flow Meter is microprocessor based, does not have any potentiometers, and has RS232 communications that is accessible with optional cable assembly. Flow Meter is powered by 24 VDC or 115 VAC/ 230 VAC. The power dissipation is under 6 watts (e.g. under 250 ma at 24 VDC).



Electronics is Integral Style, with NEMA 4X Blind Enclosure. The electronics has a 4 to 20 ma opto-isolated output proportional to Mass Flow Rate as well as a 0 to 5 VDC output proportional to Temperature. Optionally, the 0 -5 VDC output can be configured to provide pulsed outputs of Totalized Flow (other output will be disabled).

The Flow Element is an Insertion Style, consisting of a 1/2" OD probe (3/4" optional) with lengths up to 36" long (typically 15" long) suitable for insertion into the center of a process pipe. Mounting hardware choices (such as Isolation Valve Assemblies, Compression Fittings, and Flange Mounts) are optionally available.

Calibration Self Check: Flow Meter has diagnostics – the menuing system, available through optional SILCOMNEW Cable, has provisions to check the sensor's operation by accessing the sensor's output, and comparing it to the original reported "zero flow" value noted on last few lines of meter's Certificate of Conformance. This convenient in-situ field diagnostic procedure verifies that the original factory calibration hasn't drifted, shifted, or changed. This "Sensor Functionality and Zero Self Check" also verifies that the sensor is free from contamination, even without inspection.

Accuracy is +/- 0.5% of Full Scale +/- 1% of Reading with a turn-down of up to 1000 to 1. Repeatability will be 0.2%. The Flow Meter is Sage Metering, Inc. SIL Series.